

SD03

LED Indicator for On-The-Spot Application



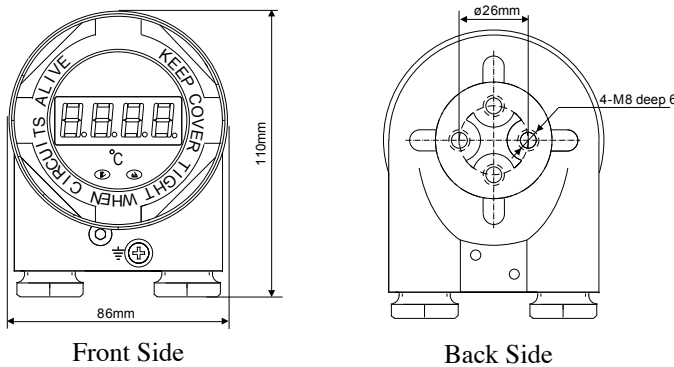
PRODUCT APPLICATION

- 8mm thickness of glass window
- Aluminum alloy design, water-proof and dust-proof
- The high-brightness LED indicator enables process monitoring for long distance.
- 2-wire transmitter works from loop current of power supply, so that it no need to additional power supply
- Freely programmable and the display depends on setting range.
- Multi-function steady, wall and clamp mounting
- Apply for industrial field and the integrated of 2-wire transmitter

SD03 - 1 1 0 N

Installation	Monitor	Output Signal	Power Supply	Option
03 : Wall type	1 : LED	1 : 4~20mA	0 : 2-wire loop power	N : Non 1 : Inbuilt of temperature transmitter + sensor probe

Dimension



Technique Sheet

Input

Input signal 4 ~ 20mA DC
 Parameter-setting bottoms program

Output

Display 4 digit LED (character height: 14.2mm)
 Display range -1999 ~ +9999
 Scale freely programmable for decimal point
 Accuracy 0.2 % F.S
 Voltage drop 3 VDC
 Current overload 40mA DC

Working power supply

Power supply 4 ~ 20mA (2-wire loop power)

Electrical regulation

Protection class IP 66
 Ambient temperature -20 ~ +60°C
 Housing Aluminum alloy
 Weight 810g

Connection Diagram

