

DPS08

Smart Integrated LED



PRODUCT APPLICATION

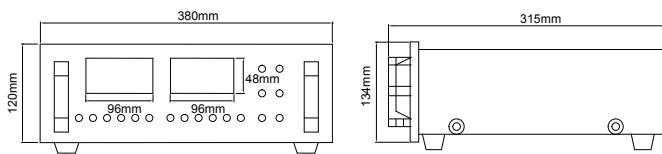
Features

- Module design, quickly customized for different demand
- Apply for measuring instrument of loading and unloading operation. (testing organization / academic research center/ school / laboratory.)
- An alloy of aluminum for housing, compact and slim size.
- Variety of power supply module option (standard type)
- Display range(VDC; ADC; thermocouple/ PT: potentiometer)

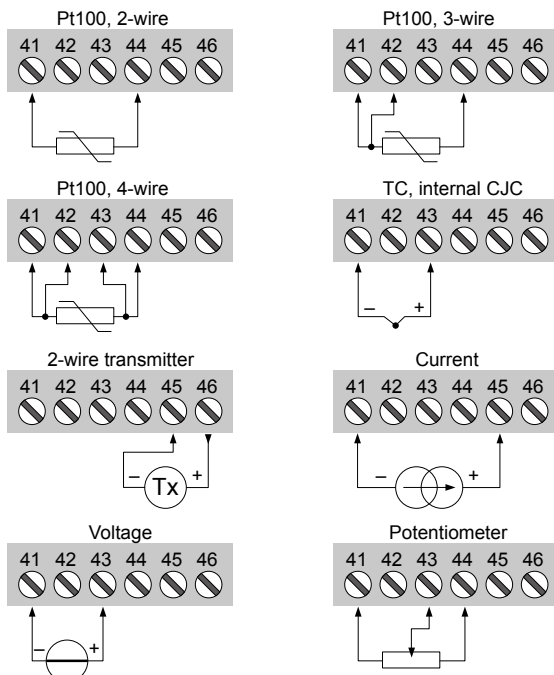
Application

- Apply for measuring instrument of loading and unloading operation/ monitor unit / field / personnel (academic organization / testing organization / laboratory).

Dimension



Connection Diagram



Technique Sheet

Input type.....	(standard, PR 5714A) VDC; mA; RTD; TC; potentiometer
Measuring range.....	VDC: 0~1/ 0.2~1/ 0~10/ 2~10VDC mA : 0~20mA, 4~20mA RTD: PT 10/20/50/100/200/500/1000, Ni 50/100/120/1000 TC: B/E/J/K/L/N/R/S/T/U/W3/W5/LR potentiometer: 10Ω~100 KΩ (standard, PR 5714A)
Display range (programmable selection).....	(standard, PR 5714A) 4-digit LED (13.8mm) 14 segment digit display range (-1999~9999)
Accuracy.....	All input $\pm 0.1\%$ of readout
Response time display	2.2 times/s
Direct current.....	5 VDC (max 100 mA)/ 12 VDC (max 100 mA) / 24VDC (max 1A)
Instrument power (for 5714 pin 45-46).....	25~15 VDC / 0~20 mA
Ambient temperature.....	-20~60°C (standard)
Ambient humidity.....	0~90%RH (standard)
Storage temperature.....	-40~65°C (standard)
Thermal drift	$\leq \pm 0.01\%$ of readout / °C
Power supply.....	100~240 VAC (standard)
Current consumption	max 2 A (standard)
Signal connection	terminal (standard)
Installation	desktop
Certificate (for 5714).....	CE ; UL ; Marine ; GOST R
Testing standard (for 5714).....	EMC: EN 61326-1 LVD: EN 61010-1, UL: UL 508
Housing	aluminum alloy
Weight	3.5kg